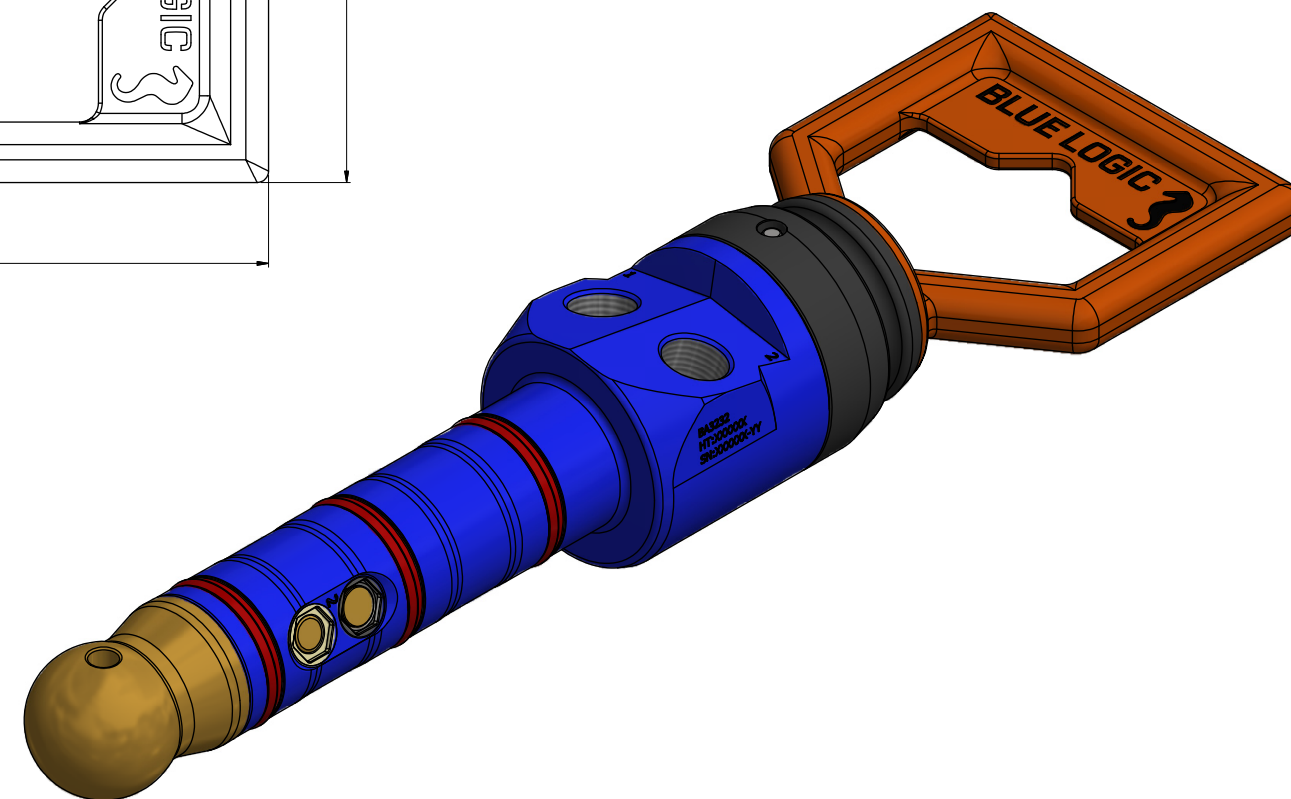
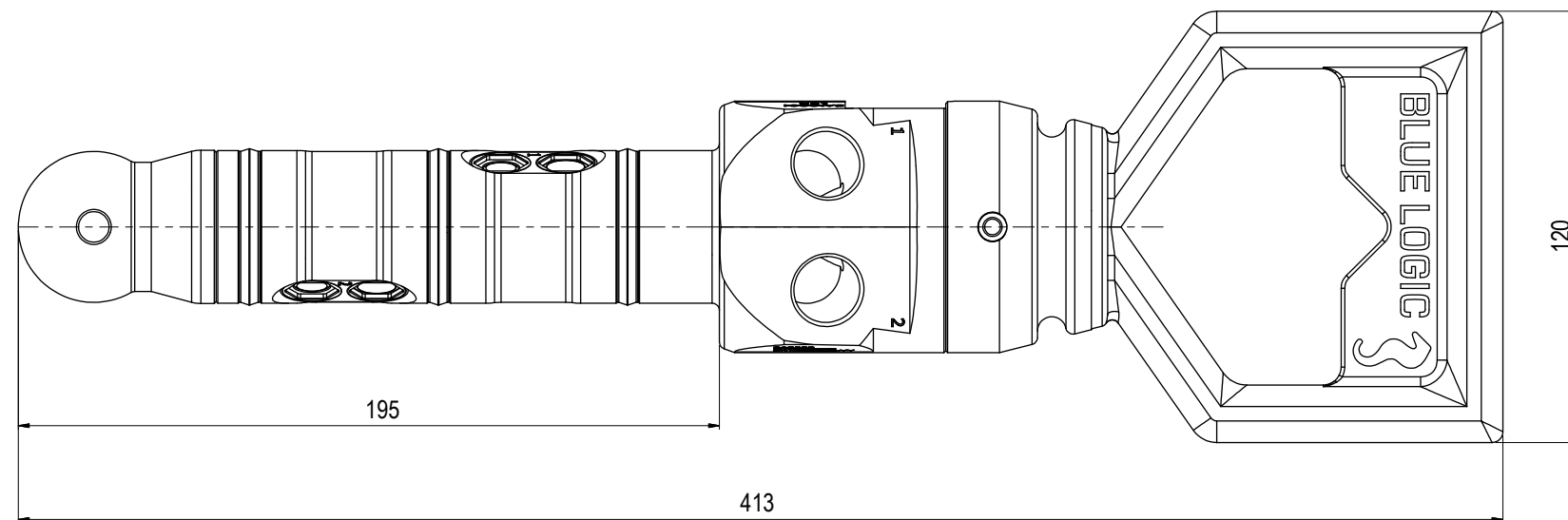
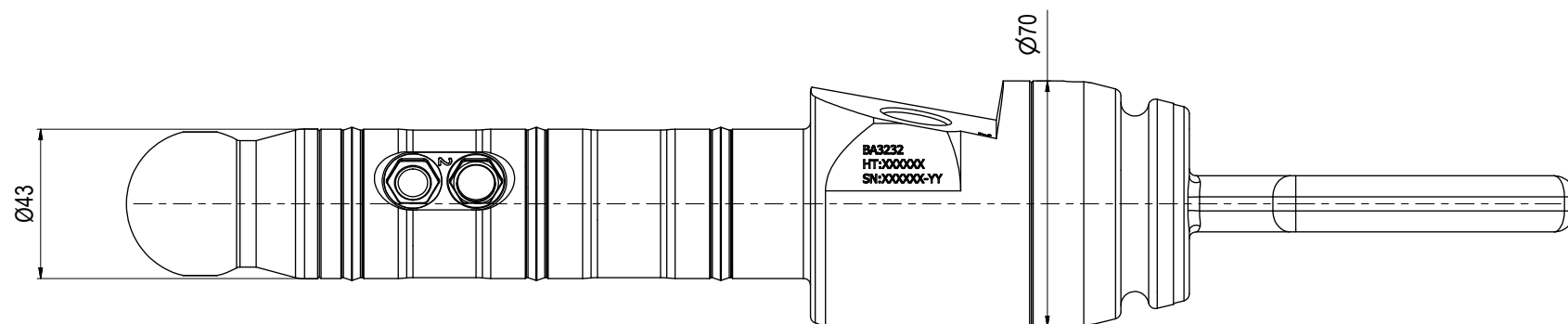


NOTE: 1
 DESIGN CODE:
 API 17H
 ISO 13628-8

NOTE: 2
 TECHNICAL CLASSIFICATION:
 Article Type: 001-Hot Stabs
 Main Group: 1.03. Ø43 Hot Stab
 Intermediate Group: 1.2.01. Stab
 Sub Group: 1.2.5.02. Dual

NOTE: 3
 INTERFACE INFORMATION:
 Pressure Rating Bar: 690
 Material: Intervention
 Weight: 4,6 kg
 Volume: 0,66 dm³
 Surface Area: 1415 cm²
 Hydraulic: BSP 1/2"
 Mechanical: N/A
 Electrical: N/A
 Com. & Protocol: N/A

NOTE: 4
 SPAREPARTS:
 BA5288



04	12.1.2026	9-IFU (Issued for Use)		WTJ	HNJ	WTJ
03	10.1.2017	9-IFU (Issued for Use)		HNJ	LAE	HNJ
02	30.4.2014	9-IFU (Issued for Use)		WTJ	HNJ	WTJ
01	4.1.2013	7-IFC (Issued for Construction)		HNJ	NA	NA
Rev.	Date	Reason for issue	Revision change	Made	Chk'd	Appr.



Dwg Scale:	NTS
Dwg Proj:	
Dwg Format:	A3

Drawing title:	Ø43 DP Stab 10k Interv wCV BSP 1/2" ID8mm
Drawing number:	BA3231